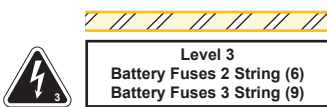


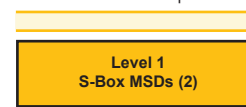
Level 3 Disconnect Zone
Disconnect All Battery Fuses



Level 2 Disconnect Zone
Disconnect All Remote MSDs

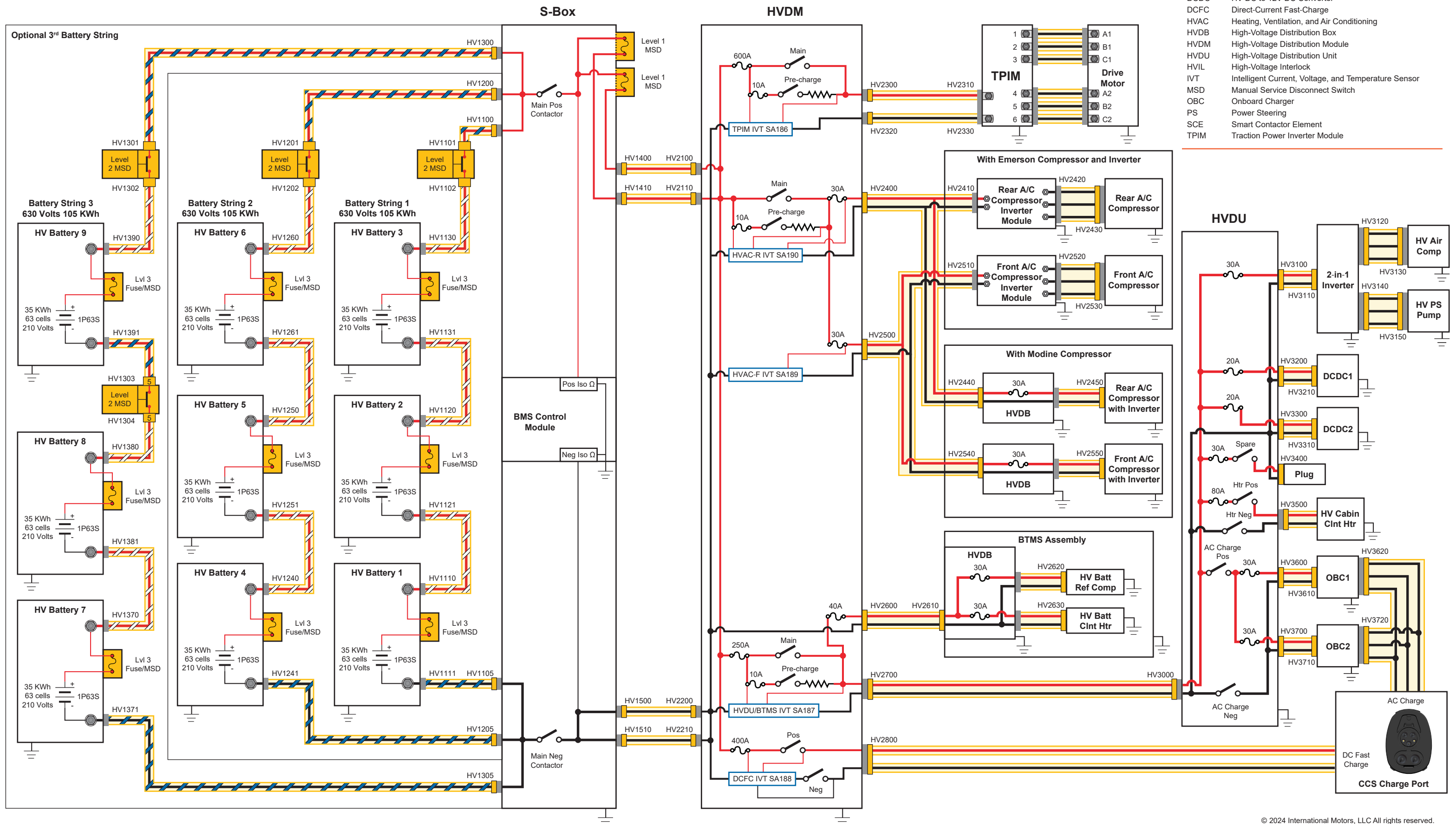


Level 1 Disconnect Zone
Disconnect MSDs at S-Box
Level 1 No Stripes



Acronym Legend

AC	Alternating Current
A/C	Air Conditioning
BMS	Battery Management System
BTMS	Battery Thermal Management System
CCS	Combined Charging System
DCDC	HV DC to 12V DC Converter
DCFC	Direct-Current Fast-Charge
HVAC	Heating, Ventilation, and Air Conditioning
HVDB	High-Voltage Distribution Box
HVDM	High-Voltage Distribution Module
HVDU	High-Voltage Distribution Unit
HVIL	High-Voltage Interlock
IVT	Intelligent Current, Voltage, and Temperature Sensor
MSD	Manual Service Disconnect Switch
OBC	Onboard Charger
PS	Power Steering
SCE	Smart Contactor Element
TPIM	Traction Power Inverter Module



Cable End	Component End	Name	Number	Application	HVIL Block-Off Plug
		Two-Position Locking Round Connector with Guide Pin	HV2800	HVDM DC Fast Charge Input	N/A
		Two-Position Locking Round Connector	HV2700 HV3000 HV3500	HVDM Output to HVDU HVDU Input from HVDM HVDU Output to HV Cabin Coolant Heater	N/A
		Three-Terminal A/C Compressor Connector	HV2430 HV2530	Rear A/C Compressor Front A/C Compressor	N/A
		Two-Terminal Locking Round Connector	HV3110	2-in-1 Inverter Input	N/A
		Three-Terminal AC Connector	HV3120 HV3140 HV3150	2-in-1 Inverter Output to HV Air Compressor 2-in-1 Inverter Output to HV Power Steering Pump HV Power Steering Pump Input	N/A
		Three-Terminal AC Connector with HVIL	HV3130	HV Air Compressor Input	N/A
		Seven-Terminal AC Connector	HV3620 HV3720	OBC1 Input from Charge Port OBC2 Input from Charge Port	N/A
		Square High-Voltage Connector	HV2440 HV2540 HV2600 HV2610 HV3210 HV3310 HV3610 HV3710	Rear A/C HVDB Input Front A/C HVDB Input HVDM Output to BTMS BTMS Input DCDC1 Input DCDC2 Input OBC1 Input OBC2 Input	N/A

Cable End	Component End	Name	Number	Application	HVIL Block-Off Plug
			HV2400	HVDM Output to Rear A/C Compressor	
			HV2450	Rear A/C Compressor with Inverter	
			HV2500	HVDM Output to Front A/C Compressor	
			HV2550	Front A/C Compressor with Inverter	
			HV2620	BTMS HV Battery Refrigerant Compressor	
		Rectangular High-Voltage Connector	HV2630 HV3100 HV3200 HV3300 HV3400 HV3600 HV3700	BTMS HV Battery Coolant Heater HVDU Output to 2-in-1 Inverter HVDU Output to DCDC1 HVDU Output to DCDC2 Spare HVDU Output to OBC1 HVDU Output to OBC2	N/A
			HV1100	S-Box Positive Input from HV Battery String 1	
			HV1101	HV Battery String 1 Level 2 MSD Output (black) to S-Box	
			HV1102	HV Battery String 1 Level 2 MSD Input (red) from HV Battery 3	
			HV1105	S-Box Negative Input from HV Battery String 1	
			HV1200	S-Box Positive Input from HV Battery String 2	
			HV1201	HV Battery String 2 Level 2 MSD Output (black) to S-Box	
			HV1202	HV Battery String 2 Level 2 MSD Input (red) from HV Battery 6	
			HV1205	S-Box Negative Input from HV Battery String 2	
			HV1300	S-Box Positive Input from HV Battery String 3	
			HV1301	HV Battery String 3 Level 2 MSD Output (black) to S-Box	
			HV1302	HV Battery String 3 Level 2 MSD Input (red) from HV Battery 9	
			HV1303	HV Battery String 3 Level 2 MSD Output (black) to HV Battery 9	
			HV1304	HV Battery String 3 Level 2 MSD Input (red) from HV Battery 8	
			HV1305	S-Box Negative Input from HV Battery String 3	
			HV1400	S-Box Positive Output 1	
			HV1410	S-Box Positive Output 2	
			HV1500	S-Box Negative Output 1	
			HV1510	S-Box Negative Output 2	
			HV2100	HVDM Positive Input 1	
			HV2110	HVDM Positive Input 2	
			HV2200	HVDM Negative Input 1	
			HV2210	HVDM Negative Input 2	
			HV2300	HVDM Positive Output to TPIM	
			HV2320	HVDM Negative Output to TPIM	
		One-Position Locking Round Connector with Guide Pin			N/A